



GW5 STRUCTURED WATER FILTER INSTALL GUIDE

Step 1 - Inventory Parts Received

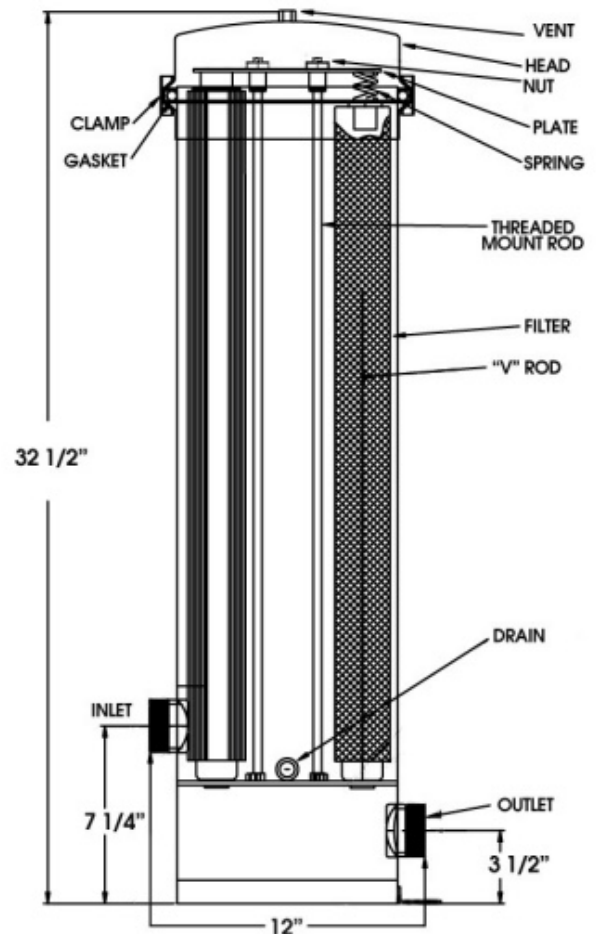
1. This Install Guide
2. Stainless steel multi-round filter housing with loose parts inside housing
3. AquaMetix filters will arrive in a separate box

Step 2 - Determine location to install MR housing

1. Place unit in a location proximal to main water supply line where it will be permanently installed.
2. The multi-round housing is outfitted with 1" inlet and outlet pipe threads. If your water line is 3/4", insure you have two appropriate reducer couplers to attach to your water supply.

Step 3 - Remove parts from multi-round filter housing

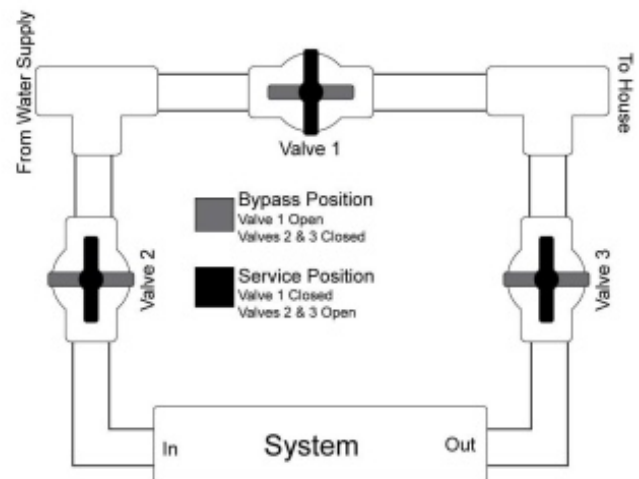
1. Remove lid from housing, five spring caps and bleeder valve
2. Remove round plate held in place by a wing nut and washer.
3. Ensure v-posts are securely inserted into each base of filter housing and that center rod is screwed down securely.
4. The structuring and energizing apparatus is pre-installed. This consists of a vortex flow tube and a Harmonizer cartridge.
5. Remove plastic wrapping from filters and confirm black rubber gaskets are in place on both ends of each filter.
6. Carefully slide Aquametix filter cartridges onto v-posts. Do not use excessive force to avoid damage to filter cartridges. All filters should be securely seated.



7. Insert spring loaded caps onto the top end cap of each filter. Solid end of spring loaded cap is designed to fit inside the top end of each Aquametix filter to hold it in place and to create a water tight seal.
8. Replace round top plate, aligning holes with the spring caps and tighten securely with wing nut.
9. Check MR housing gasket to ensure it is not damaged and in place before attaching lid.
11. Align and attach the lid and secure with t-clamp. Tighten clamp hand tight, and tap on clamp with a wood block the full circumference of the bracket and then use a wrench on the wing nut to tighten securely. (see video on website video page for a visual).
10. Screw bleeder valve into place on lid of housing. (Apply teflon tape to threads).

Step 4 - Connecting to main water supply line

1. Shut off main water supply valve
2. Insure water shut-off valves are installed before and after filter housing inlet and outlet and a bypass line should also be installed into your water supply.
3. After the water supply line have been attached to the inlet and outlet, have towel available and open the bleeder valve on lid and slowly fill with water shutting off the bleeder valve only after all air has been expelled from the housing and a steady stream of water is flowing out of the bleeder valve.



4. Shut off water supply and allow 20 minutes for filters to saturate with water.
5. After 20 minutes, run water for 10 minutes to flush out filter residue.
6. Congratulations! Your MR5 Structured Water Filter is now operational.

INSTRUCTIONS FOR ANNUAL FILTER REPLACEMENT

1. Close water supply inlet and outlet valves.
2. Open the bleeder valve on lid. Have towel available for water overflow.

3. Loosen cover clamp nut and remove T-bolt from retainer ring. Remove cover clamp and lid. *(Do not attempt to remove cover without first releasing pressure from the housing).*
4. Remove wing nut holding top plate which holds the filters in place.
5. Have a plastic 5 gallon bucket available for spent filters. Remove all spent cartridges and carefully install new cartridges insuring rubber gaskets are in place.
7. Align and attach the lid and secure with t-clamp. Tighten clamp hand tight, and tap on clamp with a wood block the full circumference of the bracket and then use a wrench on the wing nut to tighten securely. (see video on website video page for a visual).
8. Replace housing lid making sure the edge of the lid is aligned with bottom flange on filter housing.
9. Position the T-bolt and tighten clamp nut.
10. Open inlet valve slowly. Have towel available and keep bleeder open until a steady stream of liquid comes out of vent. Close bleeder valve. Check for leaks. If leaks appear, close inlet valve, relieve pressure by opening drain and repeat steps above.

For questions please contact Greenfield Water Tech Support at:

1-208-462-0626 or 1-208-596+6858