

FLEX

WHOLE HOME POINT-OF-ENTRY WATER FILTRATION SYSTEM

Owner's Manual
Flex 4V.1



C

US



Tested and certified by WQA against NSF/ANSI/CAN 61 for materials safety requirements only and NSF/ANSI 372 for lead free compliance. This system is not certified for contaminant reductions or structural integrity by WQA.



Flex4V.1

Whole Home Point of Entry Water Filter Housing

1. Product Specifications

- Inlet: 1" FNPT
- Outlet: 1" FNPT
- Outlet-Inlet Horizontal Distance: 8"
- Outlet-Inlet Vertical Distance: 1.5"
- Minimum Working Pressure: 30 PSI
- Maximum Working Pressure: 90 PSI
- Dry Weight: 52 lbs
- Dimensions: 21" L x 18" W x 25.5" H
- Maximum Temperature: 120°F
- Design Flow Rate: 4 gpm

*Unit is not to be installed after a hot water heater or in direct sunlight or areas which may be expected to surpass 120°F.

2. Complete Parts List

Flex Filter housing unit

QTY 1

Four (4) interconnected filter housings equipped with 1" FNPT inlet and outlet as indicated

Top Cap

QTY 4

Four (4) removable top caps are included.

Top Cap Wrench

QTY 1

One (1) Top Cap Wrench is provided for tightening and loosening Top Caps from the Flex Assembly.

Filter Locater

QTY 4

Each of the four (4) filter locaters should be installed with the narrow end facing out of the top cap. This locater should be used at all times to ensure proper filter alignment.

Filter Installation Tool

One (1) Filter Installation Tool is included to allow for easy insertion and removal of all filter types.

Filters

QTY 4

DGD-5005 General Sediment Filter (Cylinder 1)

FloPlus 20BB Cyst, 0.5 Micron Media, (Cylinder 4)

Note* Cylinders 2 and 3 are empty and available for use with additional customer-supplied filters depending on customer demand. The claims made in this document are intended to represent the unit as sold by Qualified Water Systems and any filter claims of non-included filters are the responsibility of the filter manufacturer.

2.1. Replacement Components

Flex4V.1

Whole Home Point of Entry Water Filter Housing

- Top Cap Upper O-Ring: Part # 701705; Quantity: 4 Per Assembly
- Top Cap Lower O-Ring: Part #701706; Quantity: 4 Per Assembly
- Replacement Sediment Filter Part # 701737; Quantity: 1 Per Assembly
- Replacement Block Filter Part # 70738; Quantity: 1 Per Assembly

3. Installation Summary

Note: Drawings are intended only for reference and may vary in appearance.

Installation is to be performed by a licensed plumbing contractor, or warranty is nullified.

Plumbing contractor or home owner must ensure compliance with local permitting and plumbing regulations. Contact your local Planning Commission to confirm all codes are met.

Additional fittings will be necessary for installation. These fittings will be readily available for most installations at any local home improvement/hardware/plumbing retailer.

Pre-Installation Unit Setup and Location

1. Install one (1) Filter Locator into any of the caps that will include a filter. Ensure the wide portion of the locator is installed into the Top Cap first.
2. Place the unit in a desired location being mindful of the following considerations:
 - a. Installation is recommended adjacent to the cold water supply line **AFTER** any present water softener or iron removal device present
 - b. Bypassed lines which use unsoftened water to refrigerators, kitchens, or outdoor connections will not be filtered without modification
 - c. A smooth, stable and level mounting surface is required
 - d. Ensure clear access to a wall for mounting the unit, plumbing and accessories
 - e. Access to a GFCI enabled electrical outlet for optional accessories, such as a water monitoring device or UV disinfection system
 - f. 24" of access above the unit to allow for filter replacement space
 - g. 12" of access around the front and two sides for use of the Top Cap Wrench
3. Once you have found a desired location, mark it.
4. Pull the unit back from the wall and install the nipple and elbow connections to the back of the unit. Doing so after you secure the system to the wall will be incredibly difficult.
5. Secure system to the wall.



Flex4V.1

Whole Home Point of Entry Water Filter Housing

6. Remove Top Caps using the included Top Cap Wrench.
7. Use the Filter Installation Tool to install the filters per the layout provided in following diagram. This is a good opportunity to ensure that access will allow unit maintenance.
 - a. Filter installation notes:
 - i. Plastic protective film must be removed from all filters prior to installation
 - ii. Filters in Cylinder 1 and Cylinder 4 can be installed in any orientation. Any filters in Cylinder 2 and Cylinder 3 **MUST** be installed with the starburst pattern on the plastic filter end cap facing **DOWN** towards the floor.
 - iii. The Filter Installation Tool should be used to grab the inside of the top center bore of each filter. Be mindful to ensure the metal tines of the tool do not cause unnecessary damage to the plastic or polypropylene material.

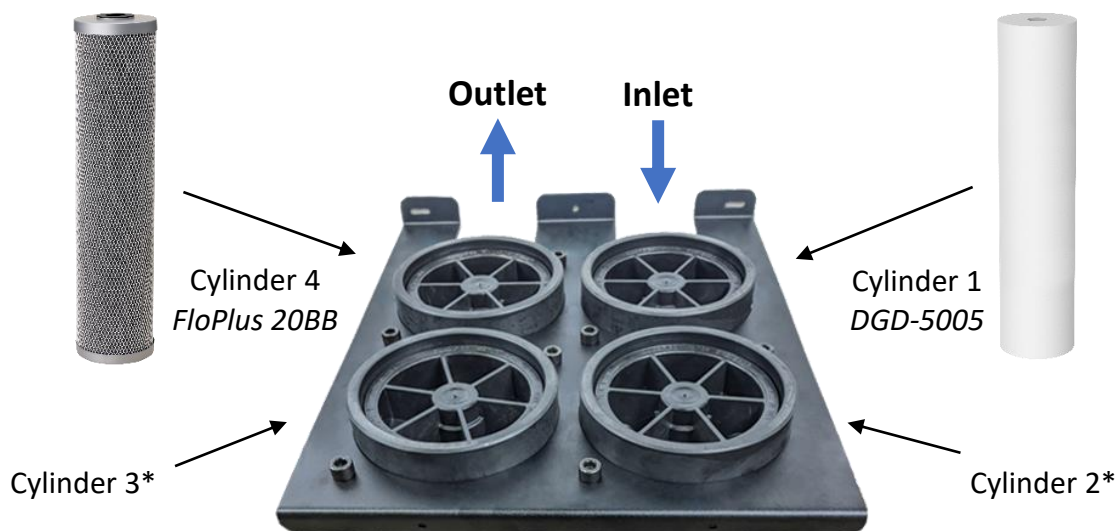
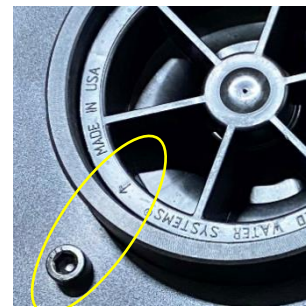


Figure 1: Filter Installation Diagram Top View

Note *Cylinders 2 and 3 can be filled with other filters depending on water challenges, or, can be left empty

8. Re-install Top Caps, tightening firmly clockwise. Caps should be started by hand and hand tightened. Then, using the included Top Cap Wrench, tighten the cap to the point the arrow is pointing toward the bolt in the bottom left corner. About 7:30 P.M. on the dial. Do not overtighten.



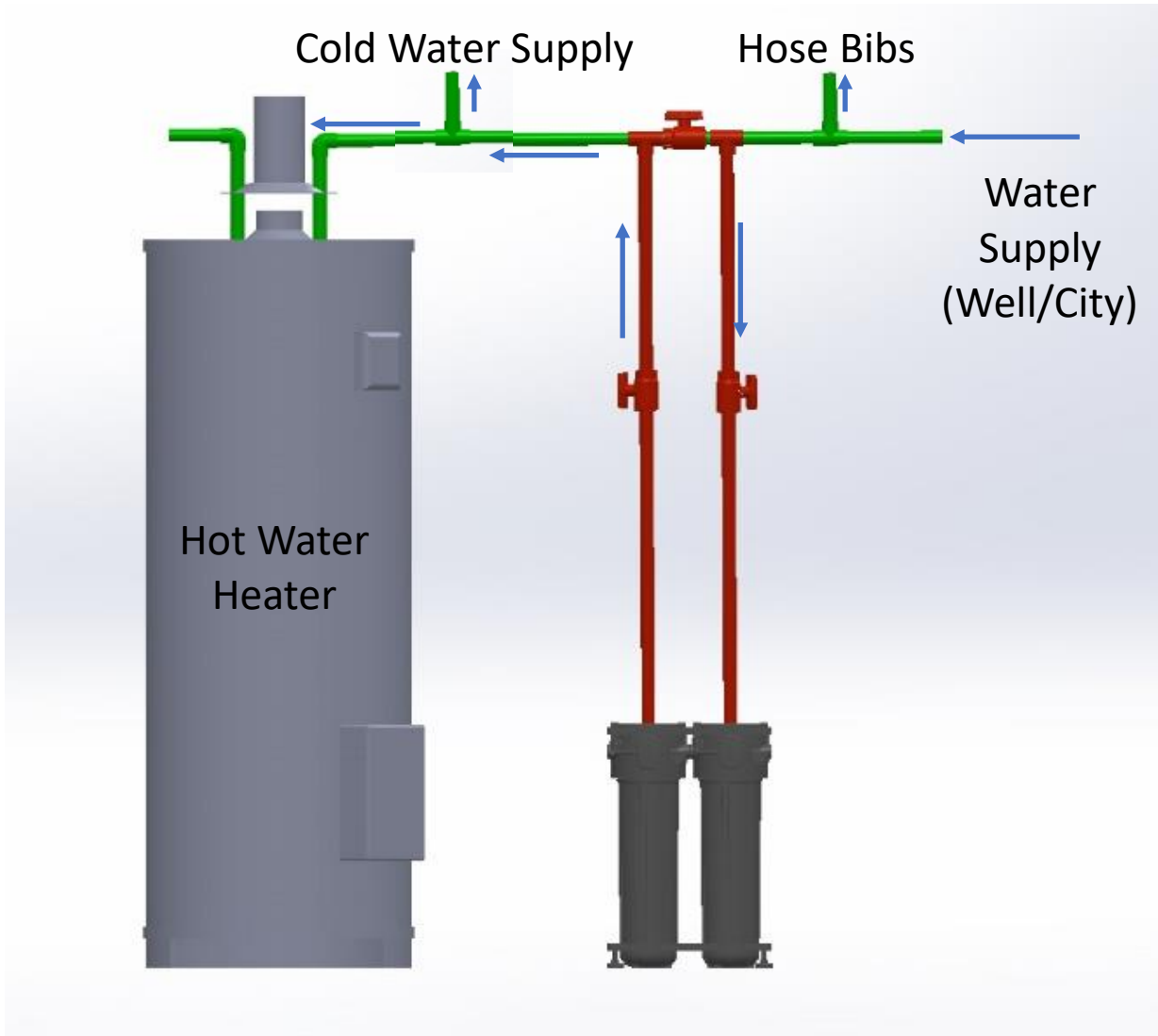
Flex4V.1

Whole Home Point of Entry Water Filter Housing

9. Once caps are installed protect the unit by placing cardboard or a thick blanket or towel on top to avoid exposure to dust, debris, solder, or heat related to plumbing installation in the following steps.

Water Line Installation

10. Turn off the main line water shutoff valve to the residence
11. Open all available fixtures at residence to drain water from system and relieve water pressure. Allow to drain at least 5 minutes or until flow stops.
12. Using appropriate piping, fittings and adapters, route and support water lines to the inlet and outlet of the unit, as well as the bypass valves. For operation, the bypass valve should be in the closed position, the inlet line should be in the open position, and the outlet line should be in the open position as shown in the diagram below. Additional fitting information for a variety of installation styles is included in **Appendix 1**;



Flex4V.1

Whole Home Point of Entry Water Filter Housing

13. Securely brace all piping and plumbing
14. Slowly open only the water inlet valve and watch for any leaks.
15. If no leaks are noted, open the outlet line and run water at all levels of the home until all air is eliminated. If leaks are identified, isolate the unit, relieve pressure via a low elevation faucet, and retighten.
 - a. Note: It is common for small amounts of water to pass the o-ring as part of the o-ring seating and hydration process. This small amount of water above the cap is normal. If leaking persists beyond 5-10 minutes the unit should be isolated using the inlet and outlet ball valve, pressure relieved, and the caps retightened.
16. Allow unit to run for 10-15 minutes to remove air and filter fines from your system.
17. The Flex whole home water filtration system is ready for use

Installation Notes

- Installation and operation of any installed units shall be in accordance with these instructions
- Compliance with these instructions does not imply or intend to serve as compliance with all local, state, national or international building, plumbing, or electrical codes
- Compliance with any codes is solely the responsibility of the homeowner/installer
- Installation of this unit is intended for a cold-water source only
- Install the system on the main water supply after any present or future pressure tank, booster tank, water softener, or other inline device
- The use of PTFE tape and/or paste will be needed on all threaded connections
- Do not use where water is microbiologically unsafe or with water of unknown quality without proper disinfection before or after Flex system
- Upon installation of any new filters, the unit should be allowed to run for 30 minutes or 50 gallons to flush any small particles introduced to the plumbing system prior to use
- If this device is installed on metallic plumbing pipe used as a path to ground a structure's electric system, then a properly sized bonding jumper shall be installed across the inlet/outlet of this device such that the electrical continuity of the path to ground is maintained

4. Filter Replacement and Maintenance

General Filter Replacement Guidelines

Recommended filter replacement intervals and procedures are listed below. Frequency of replacement is dependent on the amount of water used.

In general, a loss of water pressure or change in water quality will be an indication that filters require replacement or service is needed.

Cylinder #1: 2-4 months (Sediment Filter)

Cylinder #4: 12 – 16 months (Cysts, Fine Sediment)

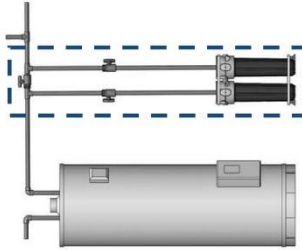
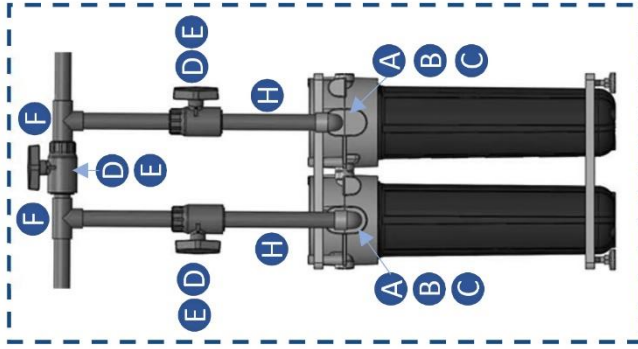
Filter Installation Steps

1. Put unit into Bypass Mode
2. Open the Bypass valve and close both the inlet valve and outlet valve
3. Loosen and remove Top Caps using the included Top Cap Wrench
4. Inspect top cap o-rings for debris or damage. Clean or replace if tears are noted
5. Carefully remove the old filter from the Filter Housing using the Filter Removal Tool, being sure to note filter orientation and Cylinder location
6. Using the Filter Removal Tool carefully insert replacement filters in proper cylinder
7. Reinstall top cap by hand tightening. Then tighten with Top Cap Wrench
8. Reverse step 2. Open the inlet and outlet valves and close the Bypass valve.
9. Allow air to purge from system by opening and running water at all levels of home
10. Check for leaks. If a leak is noted in the top cap, repeat steps 1 and 2 to relieve pressure. Then tighten caps and repeat steps 8-9.
11. Run water from your lowest tap for 15 minutes to eliminate any filter fines or introduced debris from the system
12. If no leaks are noted, your new Filter(s) is ready for service

PAGE IS INTENTIONALLY BLANK

FLEX

Installation Quick Reference



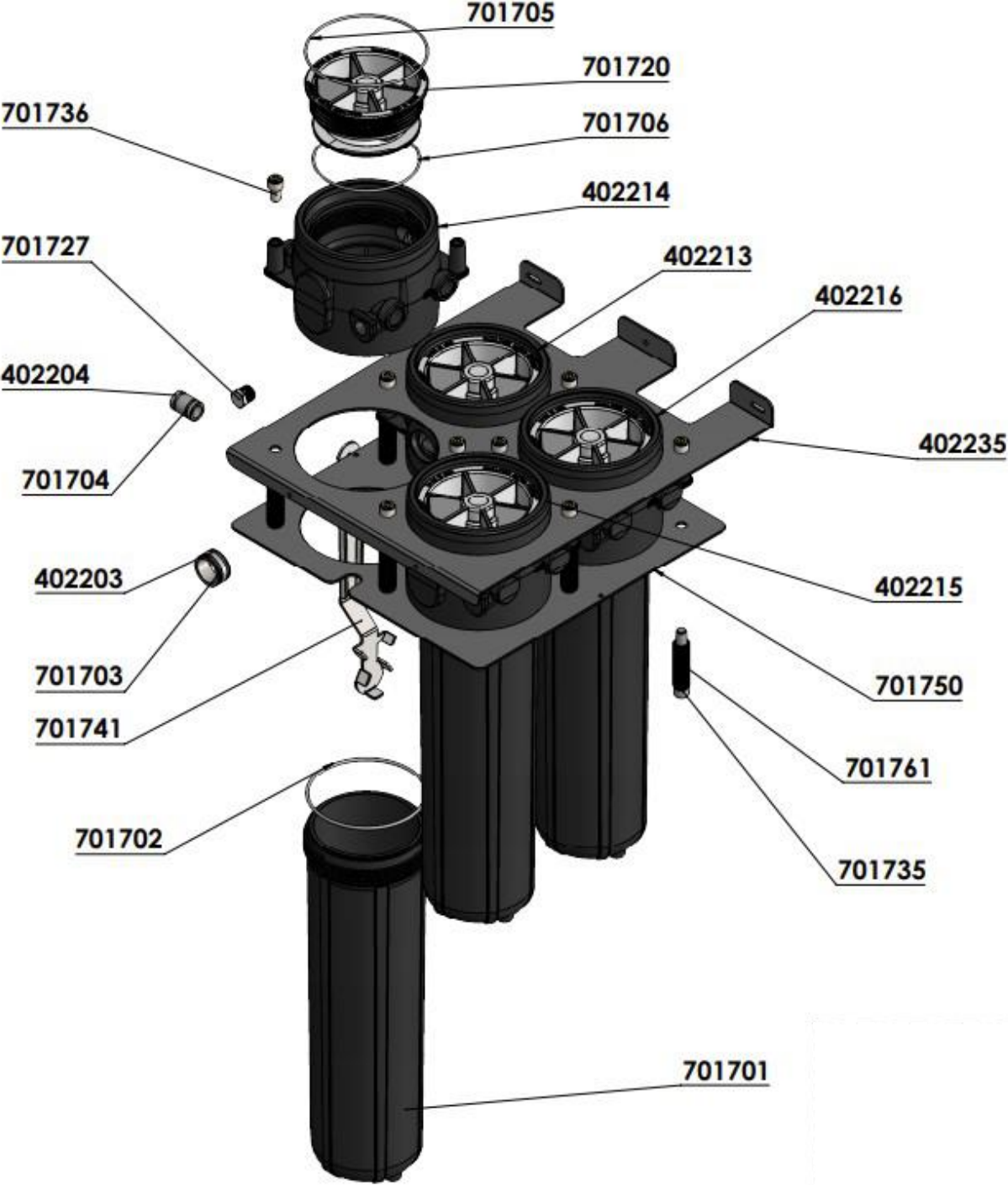
#	QTY	1" PEX CRIMP STYLE KIT	3/4" PEX CRIMP STYLE KIT	1" PEX SHARKBITE STYLE KIT	3/4" PEX SHARKBITE STYLE KIT
A	2 Pc	1" PEX x 1" MNPT DAP	3/4" PEX x 1" MNPT DAP	1" SharkBite x Male DAP	3/4" SharkBite x Male DAP
B	2 Pc	1" PEX x 1 PEX Elbow	3/4" PEX x 3/4" PEX Elbow	1"x1" SharkBite Elbow	3/4"x3/4" SharkBite Elbow
C ¹	6 Pc	1" Straight PEX Coupler	3/4" Straight PEX Coupler	1" SharkBite Coupler	3/4" SharkBite Coupler
D ²	2 Pc	1" Ball Valve Soc x Soc	3/4" Ball Valve Soc x Soc	1" SharkBite Ball Valve	3/4" SharkBite Ball Valve
E	3 Pc	1" Tee 3x Socket	3/4" Tee 3x Socket	1" PEX Tee	3/4" PEX SharkBite Tee
F	2 Pc	1" PEX Crimp	3/4" PEX Crimp		
G ³	30 Pc	1" PEX Pipe	3/4" PEX Pipe	1" PEX Pipe	3/4" PEX Pipe
H ⁴	10-20 ft	1" PEX Pipe	3/4" PEX Pipe		

#	QTY	1" PVC STYLE KIT	3/4" PVC STYLE KIT	1" COPPER STYLE KIT	3/4" COPPER STYLE KIT
A	2 Pc	1" Elbow MPT x Soc	3/4" Elbow MPT x Soc	1" MNPT x 3/4" FNPT Bushing	
B	2 Pc	1" Elbow MPT x Soc	3/4" Elbow MPT x Soc	1" Copper Male DAP	3/4" Copper Male DAP
C ¹	6 Pc	1" PVC Elbow	3/4" PVC Elbow	1" Copper Elbow	3/4" Copper Elbow
D ²	2 Pc	1" PVC Union	3/4" PVC Union	1" Brass Union	3/4" Brass Union
E	3 Pc	1" PVC Ball Valve	3/4" PVC Ball Valve	1" Brass Ball Valve	3/4" Brass Ball Valve
F	2 Pc	1" PVC Tee	3/4" PVC Tee	1" Copper Tee	3/4" Copper Tee
G ³	30 Pc				
H ⁴	10-20 ft	1" PVC Pipe	3/4" PVC Pipe	1" Copper Pipe	3/4" Copper Pipe

1. This quantity is a minimum required for an unobstructed installation. More elbows may be required depending upon your installation specific demands.
2. Installation of a union or coupler for future flexibility is an optional recommendation and not required for a warranted installation.
3. PEX crimps are required on each connection but are not pictured.
4. The total length of pipe needed will vary depending upon installation specific dimensions.



Qualified Water Systems | N22 W22922 Nancy's Court - Waukesha, WI 53186
(844) 907-1220 • info@qwsflex.com • www.qwsflex.com



PAGE IS INTENTIONALLY BLANK

QUALIFIED WATER SYSTEMS
N22 W22922 Nancy's Court
Waukesha, WI 53186

844-907-1220

info@qwsflex.com

www.qwsflex.com



Tested and certified by WQA against NSF/ANSI/CAN 61 for materials safety requirements only and NSF/ANSI 372 for lead free compliance. This system is not certified for contaminant reductions or structural integrity by WQA.

